

## A WIDE CHOICE OF DOOR FURNITURE AND COMBINATIONS ARE AVAILABLE

- All our door sets and furniture are assembled and tested at the factory
- We offer a wide range of premium door furniture from recognised suppliers :
  - All types of door handles
  - Door closures
  - Closure covers
  - Panic bars 1 point, 2 point 3 point
  - Locks
  - Fire release
  - Door stops (standard or magnetic)
  - Contact postion

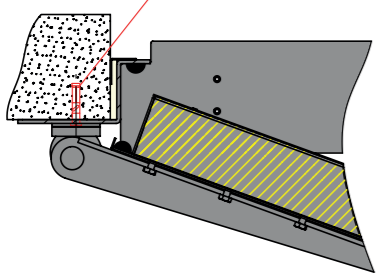


## A DESIGN ADAPTED TO THE INSTALLATION

- Our frames are pre-drilled and setting them up only takes a few minutes.
- Each door set is supplied with its complete fixing kit (sealant, screws, seals, mounting wedges, fixing caps).
- Our door sets are delivered ready to install (factory fitted door furniture, frames and leafs tested at the factory).
- For very large doors (clear passage >2600mm), the frame is delivered in 2 parts (to assemble on site) thus simplifying installation.
- Assembly operations can be carried out by our teams under the supervision of a BOET STOPSON site manager specifically trained for this type of work and in accordance with our ISO 9001 Quality Assurance Manual 2015 version.
- BOET STOPSON can also assist you in assembly operations by providing you with a supervisor during all or part of the project.

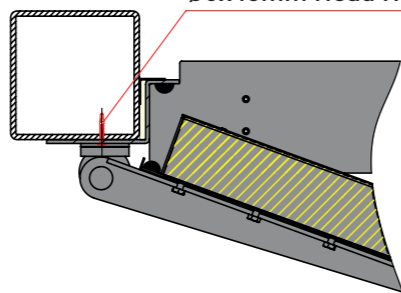
FIXING ON CONCRETE/BREEZE BLOCK

Expanding metal dowel  
HLC-L 10x50/15



FIXING ON A METAL STRUCTURE

Self-tapping screw  
Ø6x45mm Head H with collar



**BOËT STOPSON**  
The Sound of Silence

LARGE ACOUSTIC DOOR DIMENSIONS

STOPSON  
RANGE  
**BSG**

**BOËT STOPSON**  
BUILDING

## APPLICATIONS

CONCERT HALLS, THEATRES, STADIUMS & EXHIBITION HALLS - TEST FACILITIES  
TV STUDIOS - TECHNICAL AND INDUSTRIAL PREMISES



- Rw 50 and 55 dB
- Robust steel construction
- Up to 10m x 10m
- Custom dimensions
- Ultra-resistant flat threshold
- Manufactured in France
- Over 60 years experience
- Quality certified to ISO 9001-2015



Made in France



Adjustable



> Rw 50 dB



Adaptable threshold

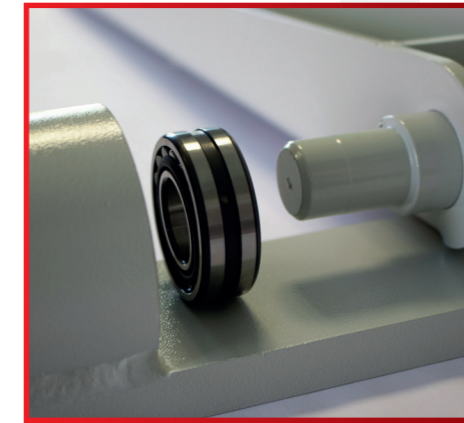
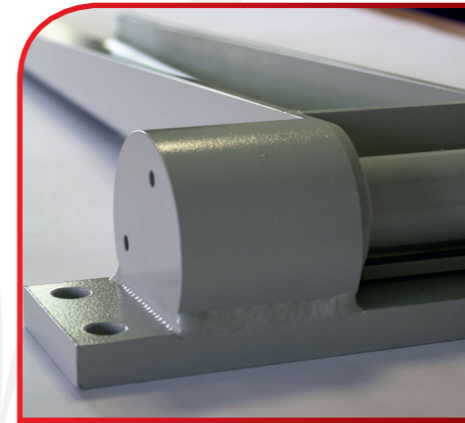
## TAILOR-MADE SOLUTIONS

- Certified performance :
  - $R_w = 50$  dB for the BSG50
  - $R_w = 55$  dB for the BSG55
- Custom sizes from 3m x 3m up to 10m x 10m.
- Robust solutions made from 3 and 5mm thick galvanised steel sheets.
- Internal reinforcements to support door furniture and hinges.
- Ball bearing surface mounted hinge system allows the door set to be opened manually (even on very large openings).
- Wall or inset installation.
- Indoor or outdoor installation.
- 6mm thick flat threshold for easy access (especially for lifting and handling equipment).
- Ultra-resistant liquid paint finish (RAL optional).
- Manufactured in France.



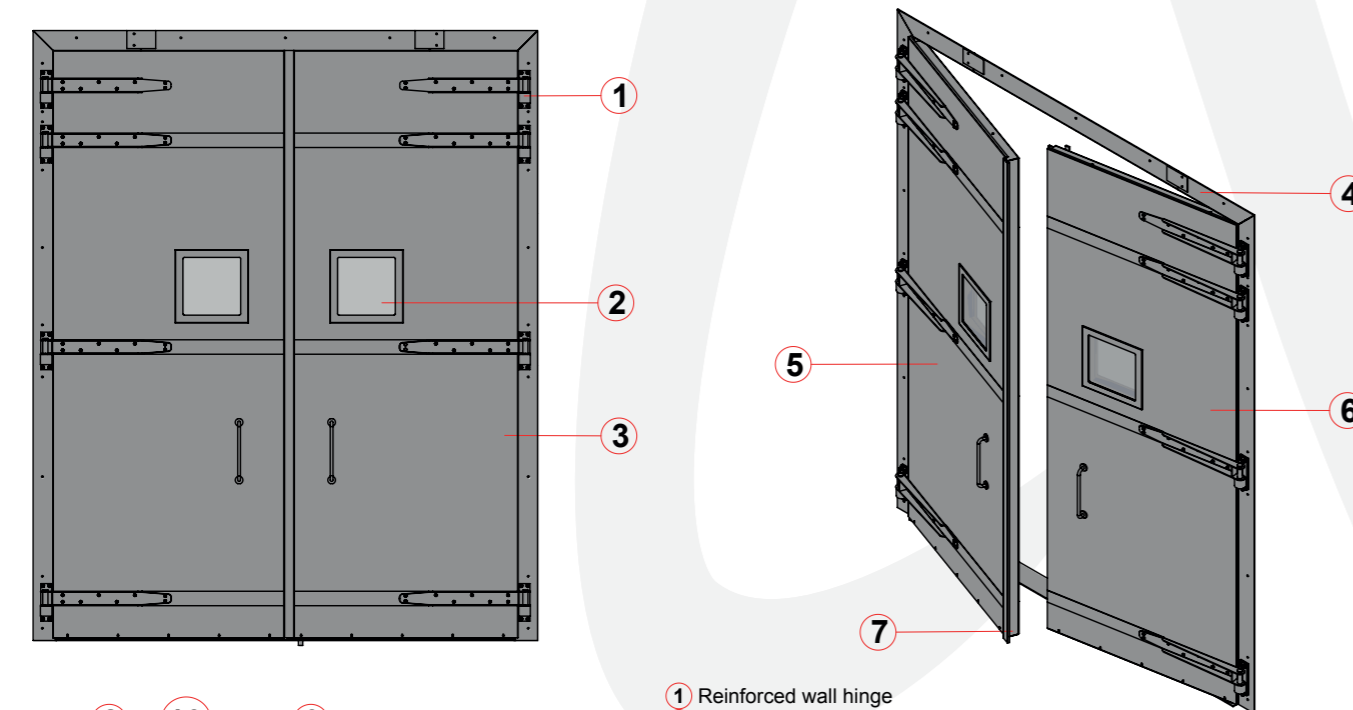
## OPTIMUM ACOUSTIC SEALING, GUARANTEED COMPRESSION AND A PERFECT FINISH

- Between the frame and the door leaf, through 2 magnetic seals on the entire periphery of the door set.
- In the lower part of the door set due to an adjustable buffer system.
- A leaf core integrating a multi-layer construction with variable density.



## ACOUSTIC DOOR SETS TYPE BSG 50 AND BSG 55

### ALLPIED INSTALLATION



- 1 Reinforced wall hinge
- 2 Acoustic window (optional)
- 3 Finish : high resistance liquid paint
- 4 Frame
- 5 Opening (optional door furniture)
- 6 Doorskin (optional door furniture)
- 7 Adjustable acoustic seal
- 8 Corner finish cover and absorbent foam
- 9 Flat threshold of 6mm (brushed stainless steel finish)
- 10 Variable density EPDM foam seal

	Width	Height
Clear passage	X	Y
Civil opening	X+124mm	Y+62mm

## ACOUSTIC PERFORMANCE

Frequency in Hz	63	125	250	500	1K	2K	4K	8K
Acoustic reduction Door set BSG50	25	42	52	54	51	60	57	59
Acoustic reduction Door set BSG55	39	47	48	60	61	61	55	56

